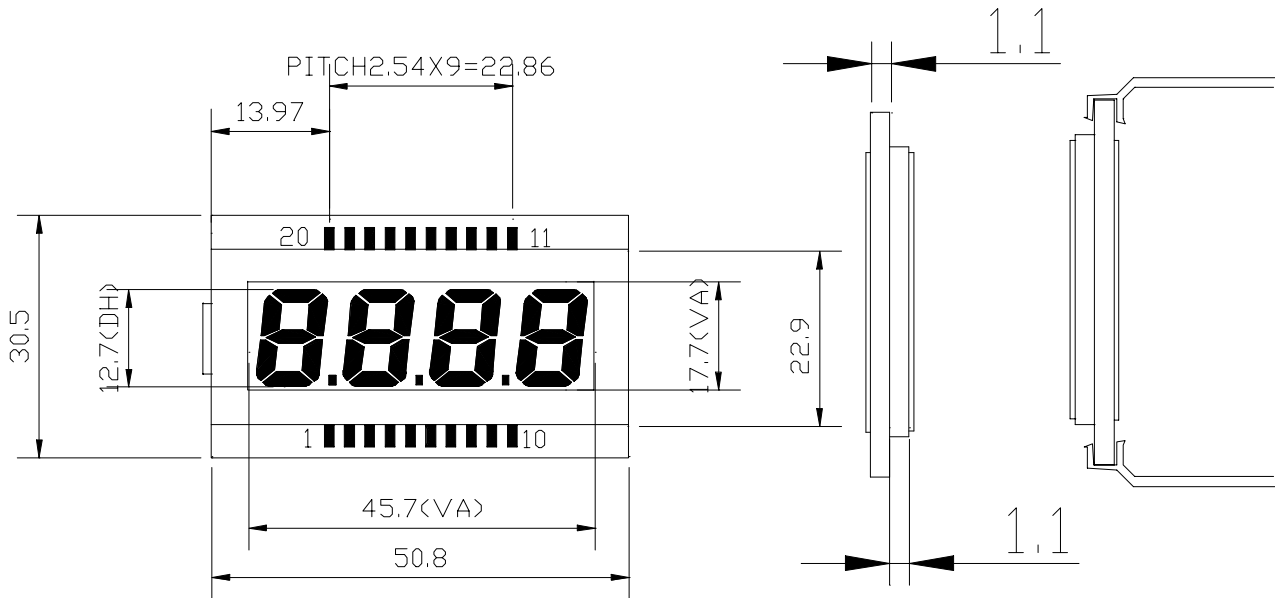


FOCUS DISPLAY SOLUTIONS

WWW.FOCUSLCD.COM

FDS(50.8x30.5)MAT02S



Pin No.	COM1	COM2	COM3	Pin No.	COM1	COM2	COM3
1	NC	NC	NC	11	COM1		
2	NC	NC	NC	12	1a	1g	1d
3	NC	NC	NC	13	1f	1e	NC
4	4b	4c	4DP	14	2a	2g	2d
5	3b	3c	3DP	15	2f	2e	NC
6	2b	2c	2DP	16	3a	3g	3d
7	1b	1c	NC	17	3f	3e	NC
8			COM3	18	4a	4g	4d
9	NC	NC	NC	19	4f	4e	NC
10	NC	NC	NC	20		COM2	