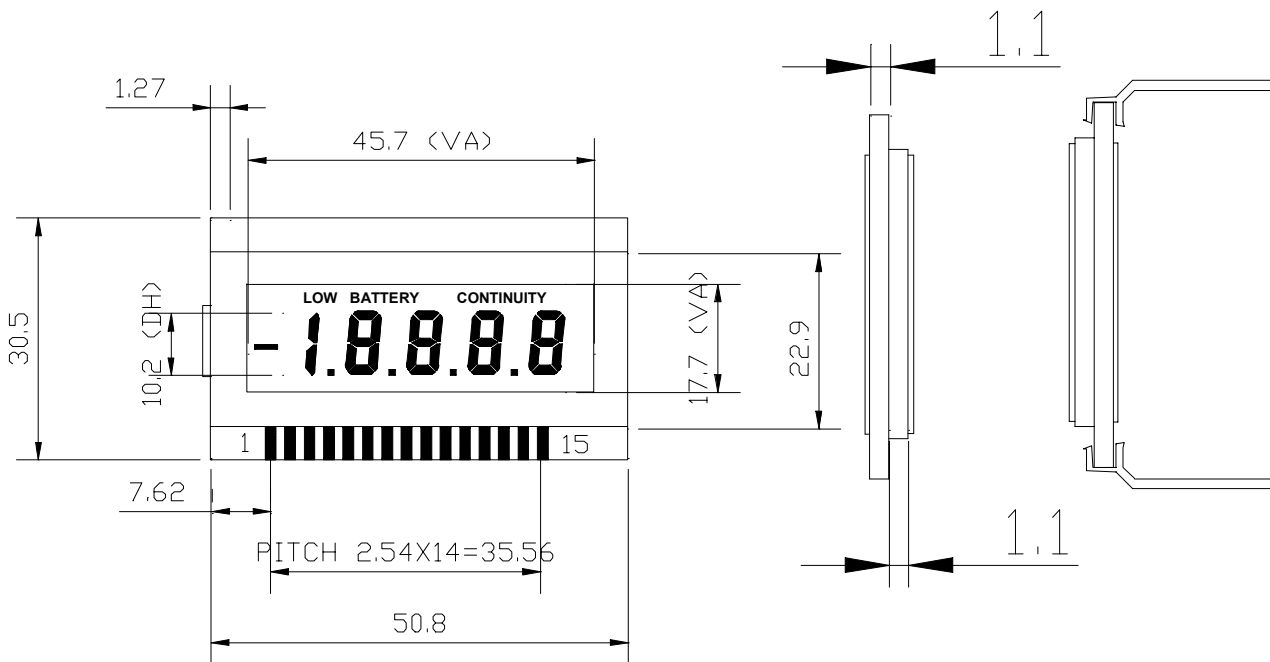


FOCUS DISPLAY SOLUTIONS

WWW.FOCUSLCD.COM

FDS(50.8x30.5)MAU02S



Pin No.	COM1	COM2	COM3	Pin No.	COM1	COM2	COM3
1	4f	4e	5DP	9	2b	2c	LOW BATTERY
2	4a	4g	4d	10	1f	1e	2DP
3	4b	4c	K	11	1a	1g	1d
4	3f	3e	4DP	12	1b	1c	CONTINUITY
5	3a	3g	3d	13	COM1		
6	3b	3c	—	14		COM2	
7	2f	2e	3DP	15			COM3
8	2a	2g	2d				