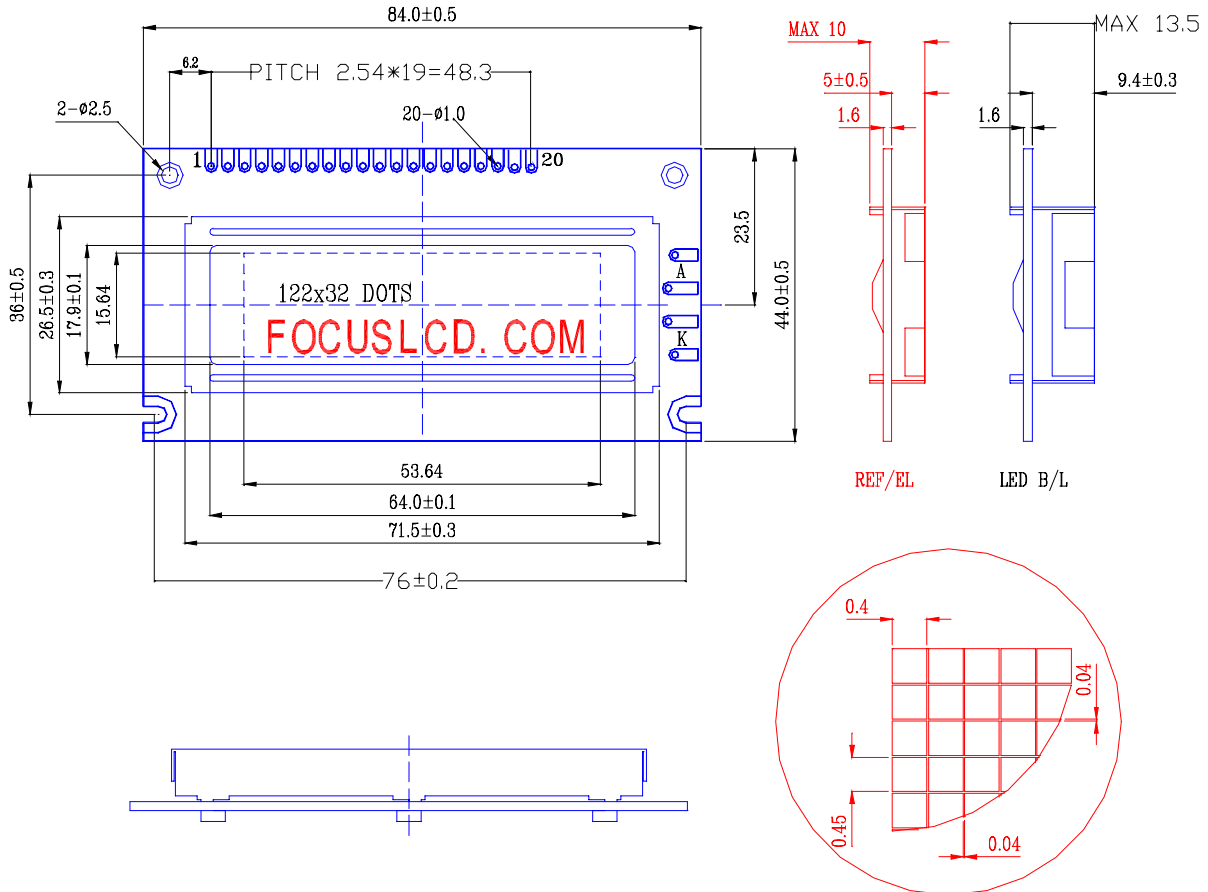


FOCUS DISPLAY SOLUTIONS

WWW.FOCUSLCD.COM FDS122x32T(79.5x36)XBG



Feature:

1. 122x32 dots graphic LCD Module
2. Built-In controller (SED1520DAA)
3. +5V power supply
4. STN; 1/32 duty; LED BKL

Interface Pin Connections

NO	SYM	FUNCTION	NO	SYM	FUNCTION
1	V _{SS}	POWER SUPPLY : 0V	11	DB ₁	H/L : DATA BIT 1
2	V _{DD}	POWER SUPPLY : +5.0V	12	DB ₂	H/L : DATA BIT 2
3	V _O	POWER SUPPLY FOR LCD DRIVER	13	DB ₃	H/L : DATA BIT 3
4	A0	H: DATA L: INSTRUCTION	14	DB ₄	H/L : DATA BIT 4
5	CS1	CHIP ENABLE SIGNAL	15	DB ₅	H/L : DATA BIT 5
6	CS2	CHIP ENABLE SIGNAL	16	DB ₆	H/L : DATA BIT 6
7	CL	CLOCK INPUT (2kHz)	17	DB ₇	H/L : DATA BIT 7
8	E	ENABLE SIGNAL	18	/RES	RESET SIGNAL
9	R/W	H: READ L: WRITE	19	A	P/S FOR BKL +4.2V
10	DB ₀	H/L : DATA BIT 0	20	K	P/S FOR BKL 0V

Absolute Maximum Rating

ITEM	SYMBOL	STANDARD			UNIT
		MIN	TYP	MAX	
POWER SUPPLY	V _{DD} -V _{SS}	-0.3	---	+7.0	V
INPUT VOLTAGE	V _I	-0.3	---	V _{DD}	
OPERATING TEMPERATURE	T _{OP}	0	---	50	°C
STORAGE TEMPERATURE	T _{STG}	-10	---	60	

Electrical Characteristics

ITEM	SYM	CONDITION	STANDARD			UNIT
			MIN	TYP	MAX	
INPUT VOLTAGE	V _{DD}	---	3.0	5.0	5.5	V
SUPPLY CURRENT	I _{DD}	V _{DD} = 5V	---	1.0	---	mA
LCD DRIVING VOLTAGE	V _{DD} -V _O	0°C	---	4.8	---	V
		25°C	---	4.6	---	
IN OR OUT VOLTAGE	V _{IH}	25°C	2.2	---	V _{DD}	V
	V _{IL}	25°C	---	---	0.6	
LED FORWARD VOLTAGE	V _F	25°C	----	4.2	4.6	V
LED FORWARD CURRENT	I _F	V _F =4.2V	---	120	---	mA

Mechanical Data

ITEM	STANDARD	UNIT
MODULE DIMENSION	84.0 X 44.0	mm
VIEWING AREA	64.0 X 17.9	mm
DOT SIZE	0.40 X 0.45	mm
DOT PITCH	0.44 X 0.49	mm