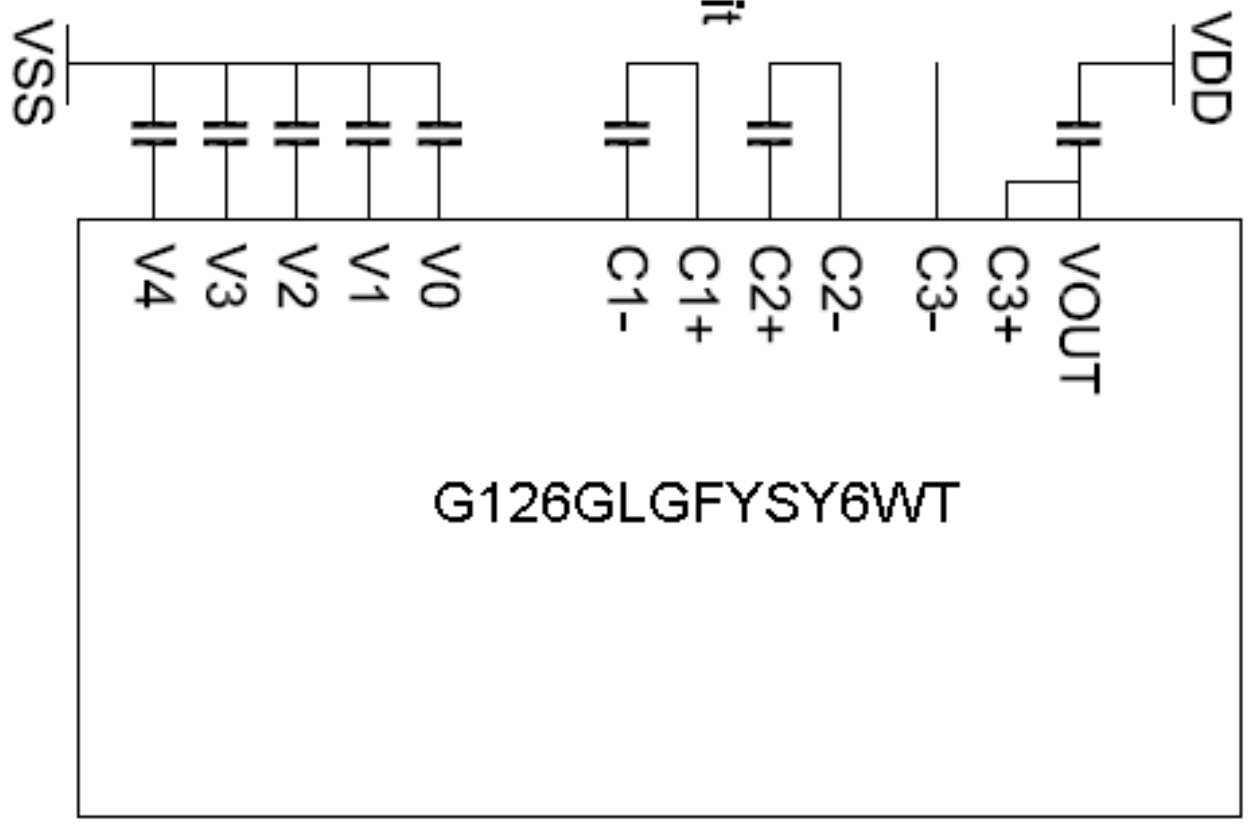


VDD=3.3V
3x voltage booster circuit
C=1uF~2.2uF



VDD=3.3V
4x voltage booster circuit
C=1uF~2.2uF

